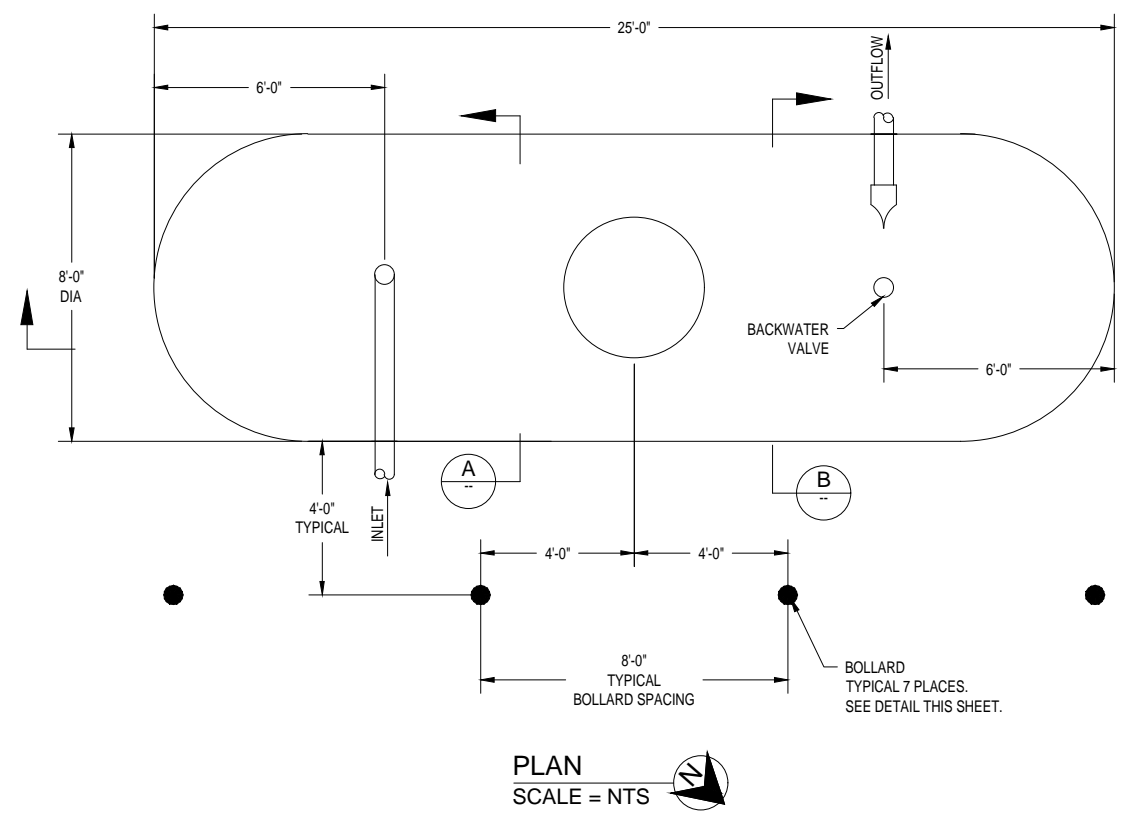
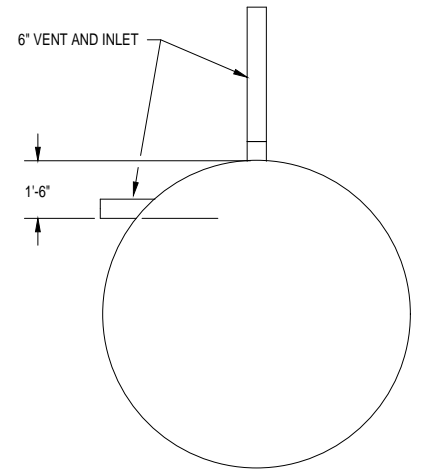


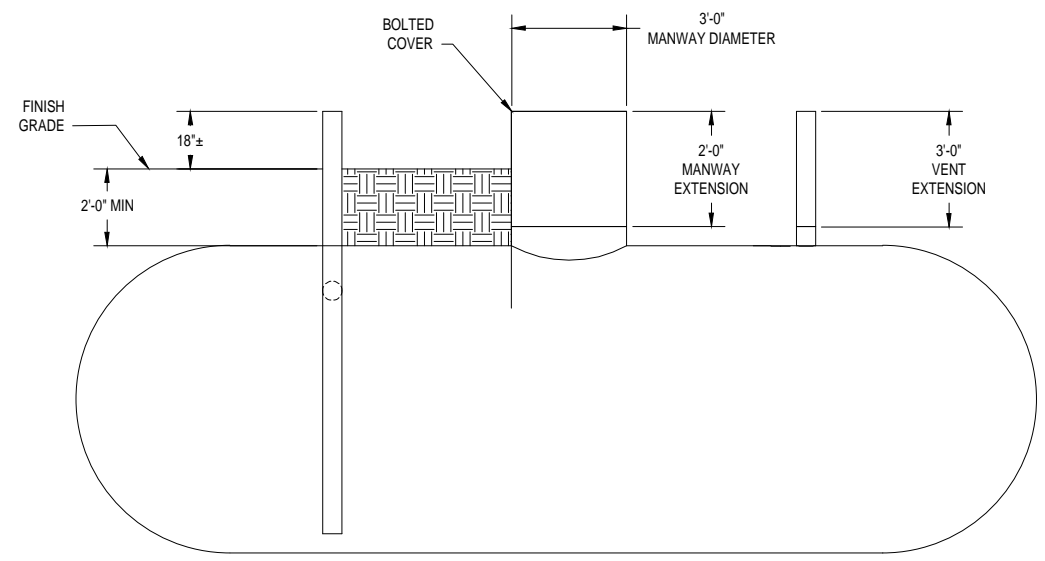
RICKWALES - 8/24/2022 - 07:27 - C:\USERS\RICKWALES\ONEDRIVE - POWER CENTRIC SOLUTIONS\WORK PRODUCTS\CAD\1125-03-505.DWG : LAYOUT1



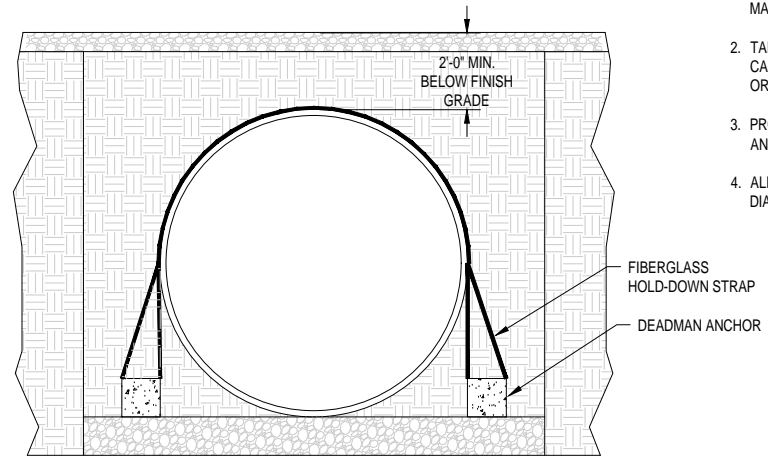
PLAN
SCALE = NTS



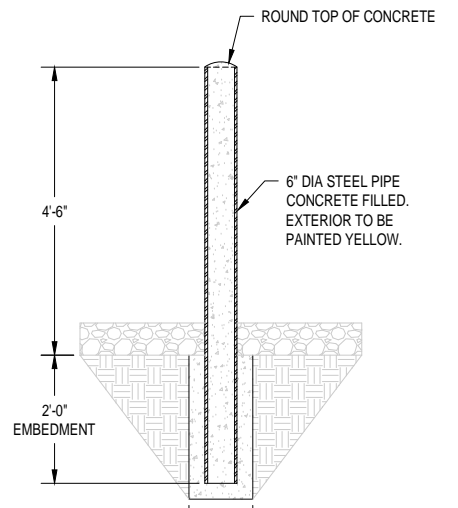
SECTION A
SCALE = NTS



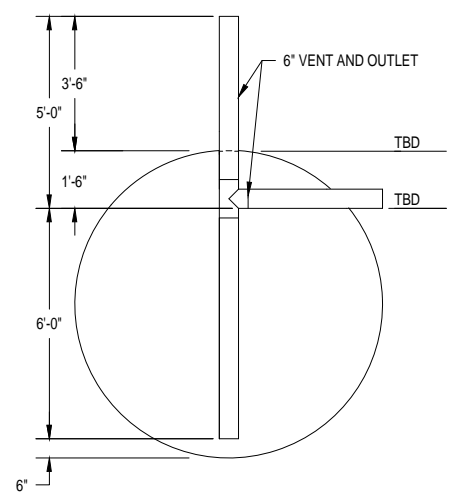
SECTION C
SCALE = NTS



TYPICAL INSTALLATION CROSS-SECTION
NOT TO SCALE



BOLLARD DETAIL
NOT TO SCALE



OIL / WATER SEPARATOR DETAIL
SECTION B
SCALE = NTS

NOTES:

- TANK INSTALLATION SHALL BE IN ACCORDANCE WITH MANUFACTURER'S INSTRUCTIONS.
- TANK SHALL BE SINGLE WALL FIBERGLASS, NOMINAL 8,000 GAL CAPACITY, MANUFACTURED BY CONTAINMENT SOLUTIONS, XERXES, OR APPROVED EQUAL.
- PROVIDE AND INSTALL ANCHOR STRAPS AND CONCRETE DEADMAN ANCHORS IN ACCORDANCE WITH MANUFACTURER'S INSTRUCTIONS.
- ALL INTERNAL PIPING AND EXTERNAL FLANGES SHALL BE 6" DIAMETER.



<p>ISSUED FOR CONSTRUCTION</p>					FRANKFORT PLANT BOARD FRANKFORT, KY CAPITAL PLAZA SUBSTATION	DRAW: ADW CHK'D: KRA APP'D: KRA SCALE: NTS
					OIL CONTAINMENT SYSTEM DETAILS	DATE: 05317.22 DRAWING NUMBER: 1125-03-505
0	08.24.22	KRA	KRA	ISSUED FOR CONSTRUCTION.		
REV	DATE	CHK'D	APP'D	REVISION DESCRIPTION		