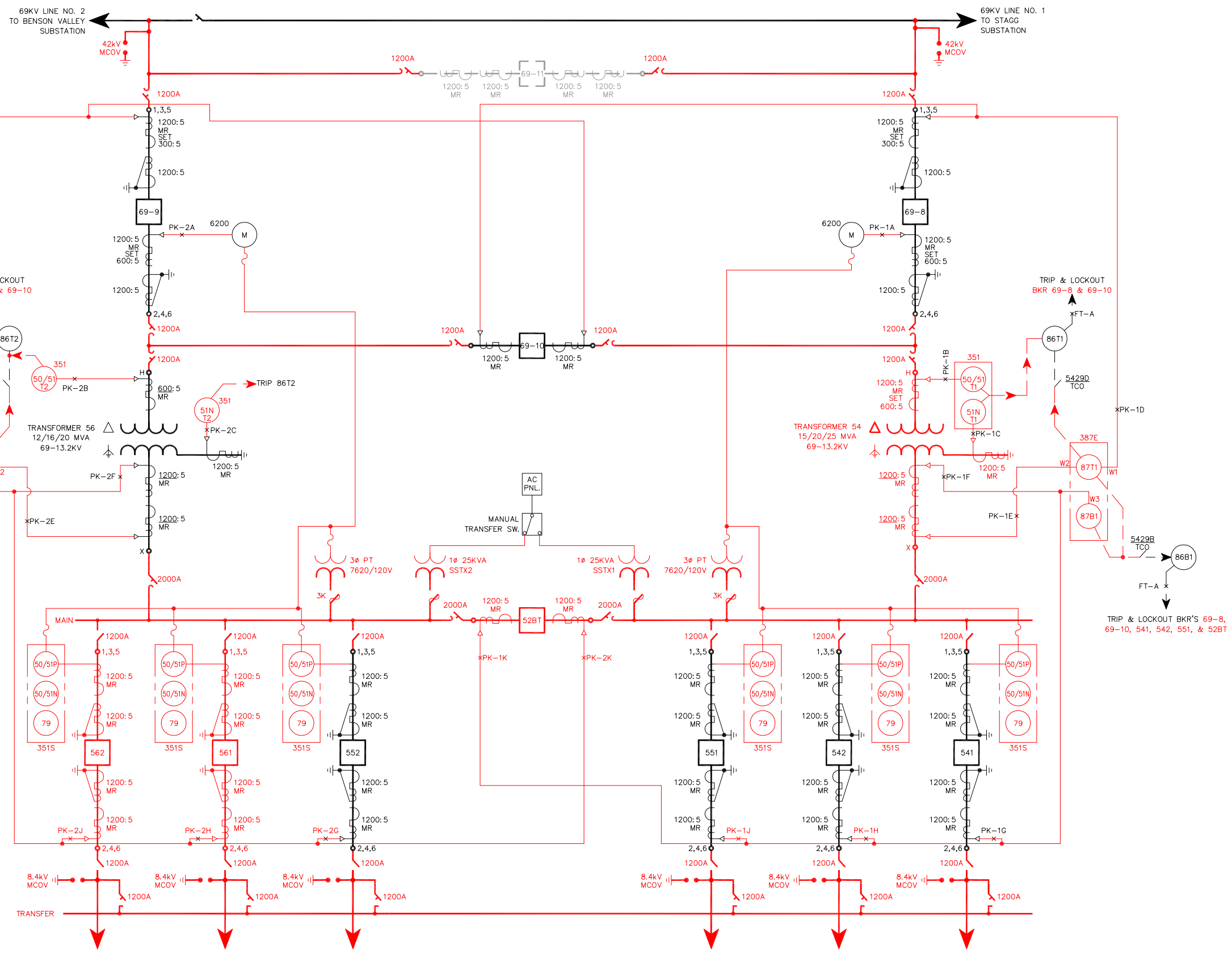
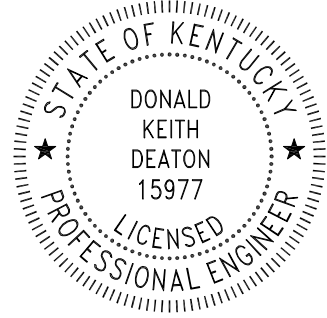


ADAMSTEVENSON - 7/19/2021 - 10:39 - P:\FRANKFORT KY 1125\1125-03 CAPITAL PLAZA SUBSTATION\WORK PRODUCTS\CAD\1125-03-100.DWG : LAYOUT1



- LEGEND:**
- EXISTING
 - ADD
 - FUTURE
 - HOOKSTICK DISCONNECT SWITCH
 - GROUP OPERATED DISCONNECT SWITCH
 - GROUP OPERATED DISCONNECT SWITCH WITH ARCING HORNS
 - GROUP OPERATED DISCONNECT SWITCH WITH QUICK BREAK ARCING HORNS
 - FUSE CUTOUT
 - SURGE ARRESTOR
 - BUSHING CURRENT TRANSFORMER
 - VOLTAGE TRANSFORMER
 - LOCATED IN SUBSTATION YARD
 - TEST SWITCH
 - FUSE
 - RELAY OR METER
 - CIRCUIT BREAKER
 - APPARATUS TERMINAL
- DEVICE NUMBERS**
- 29 TRIP CUTOUT
 - 50 INST. OVERCURRENT ELEMENT
 - 51 TIME OVERCURRENT ELEMENT
 - 86 LOCKOUT RELAY
 - 87 DIFFERENTIAL RELAY
- ABBREVIATIONS**
- B BUS
 - N NEUTRAL
 - MR MULTI-RATIO
 - PT POTENTIAL TRANSFORMER
 - T TRANSFORMER
 - TCO TRIP CUTOUT
 - X "X" ELEMENT OF RELAY
 - Y "Y" ELEMENT OF RELAY



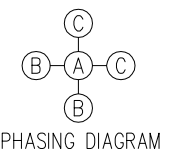
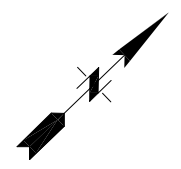
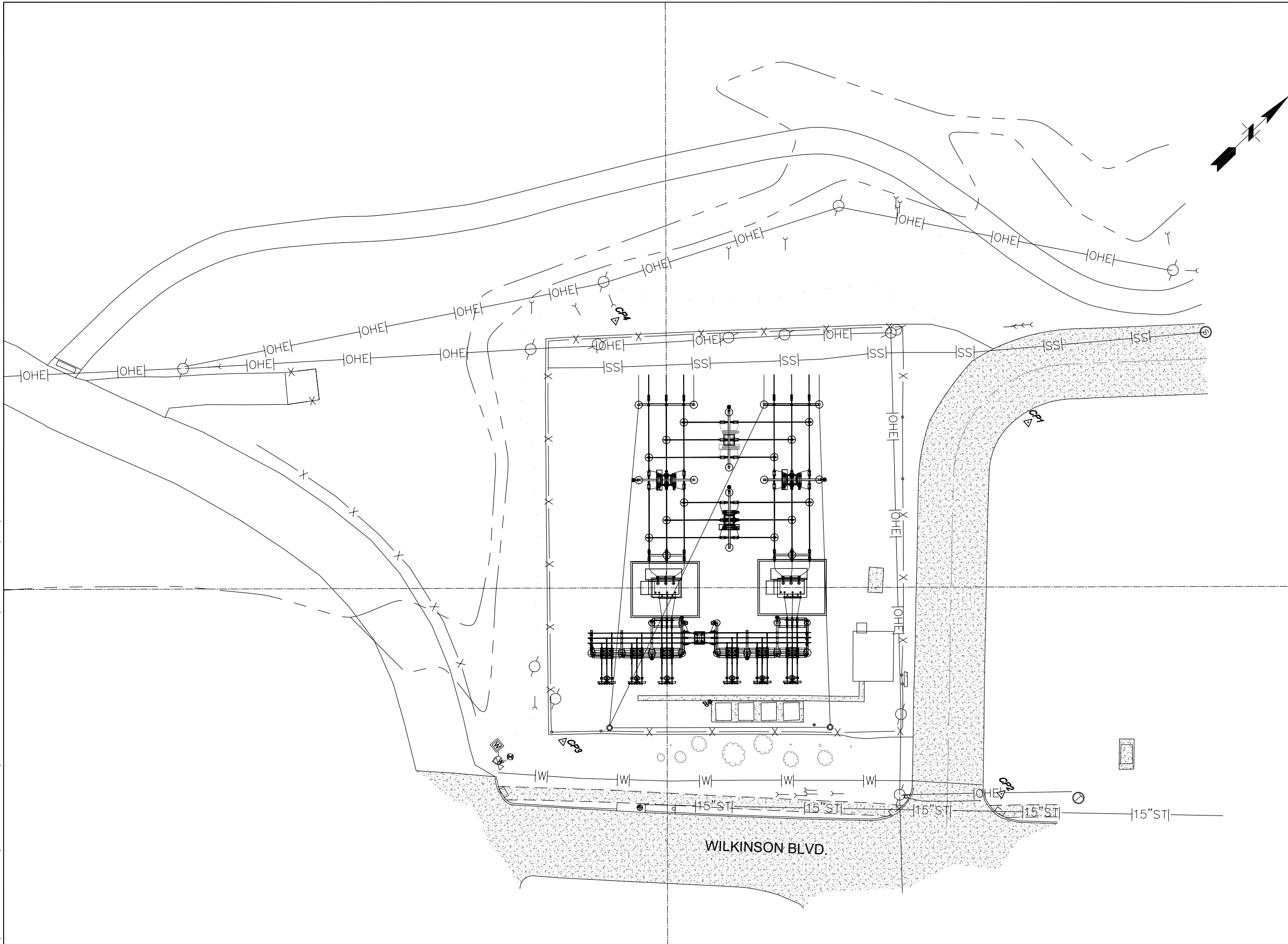
**ISSUED FOR BIDDING ONLY
NOT FOR CONSTRUCTION**



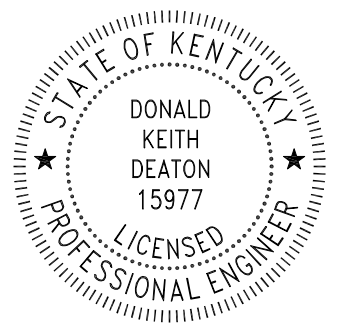
REV	DATE	CHK'D	APP'D	REVISION DESCRIPTION
0	01.04.22	KRA	DKD	ISSUED FOR BIDS

FRANKFORT PLANT BOARD FRANKFORT, KY CAPITAL PLAZA SUBSTATION	DRAW: AWS CHK'D: KRA APP'D: DKD SCALE: N/A DATE: 02.09.21 DRAWING NUMBER: 1125-03-100
ONE LINE DIAGRAM	

ADAMSTEVENSON - 7/19/2021 - 12:44 - P:\FRANKFORT KY 1125\1125-03 CAPITAL PLAZA SUBSTATION\WORK PRODUCTS\CAD\1125-03-200.DWG : LAYOUT



69 kV PULL OFF STRUCTURE DATA	
Pull Off Structure Foundation Elevation	514.5
Phase Conductor Pull Off Height Above Foundation	30 feet
Phase Conductor Spacing	7 feet
Phase Conductor Max Tension	1500 lbs./phase
Phase Conductor Max Angle from Structure Face	15 degrees
OHGW Connection Height Above Foundation	40 feet
OHGW Spacing From Pull Off Center Line	11 feet
OHGW Max Tension	1500 lbs.
OHGW Max Angle From Structure Face	15 degrees



**ISSUED FOR
BIDDING ONLY
NOT FOR
CONSTRUCTION**



REV	DATE	CHK'D	APP'D	REVISION DESCRIPTION
0	01.04.22	KRA	DKD	ISSUED FOR BIDS

FRANKFORT PLANT BOARD FRANKFORT, KY CAPITAL PLAZA SUBSTATION	DRAW: AWS CHK'D: KRA APP'D: DKD SCALE: 1"=20' (11X17") DATE: 03.03.21 DRAWING NUMBER: 1125-03-200
GENERAL ARRANGEMENT	

ADAMSTEVENSON - 7/20/2021 - 07:58 - P:\FRANKFORT KY 1125\1125-03 CAPITAL PLAZA SUBSTATION\WORK PRODUCTS\CAD\1125-03-300.DWG : LAYOUT1

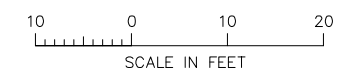
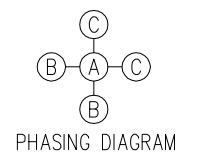
EXISTING WOOD POLE (TYPICAL)

BASELINE A

BASELINE B

CONTROL BUILDING

LEGEND:
 (P) PHASE MARKER SET
 (X) SUBSTATION YARD LIGHT



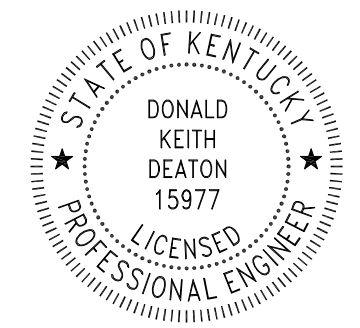
ISSUED FOR BIDDING ONLY
NOT FOR CONSTRUCTION



REV	DATE	CHK'D	APP'D	REVISION DESCRIPTION
0	01.04.22	KRA	DKD	ISSUED FOR BIDS

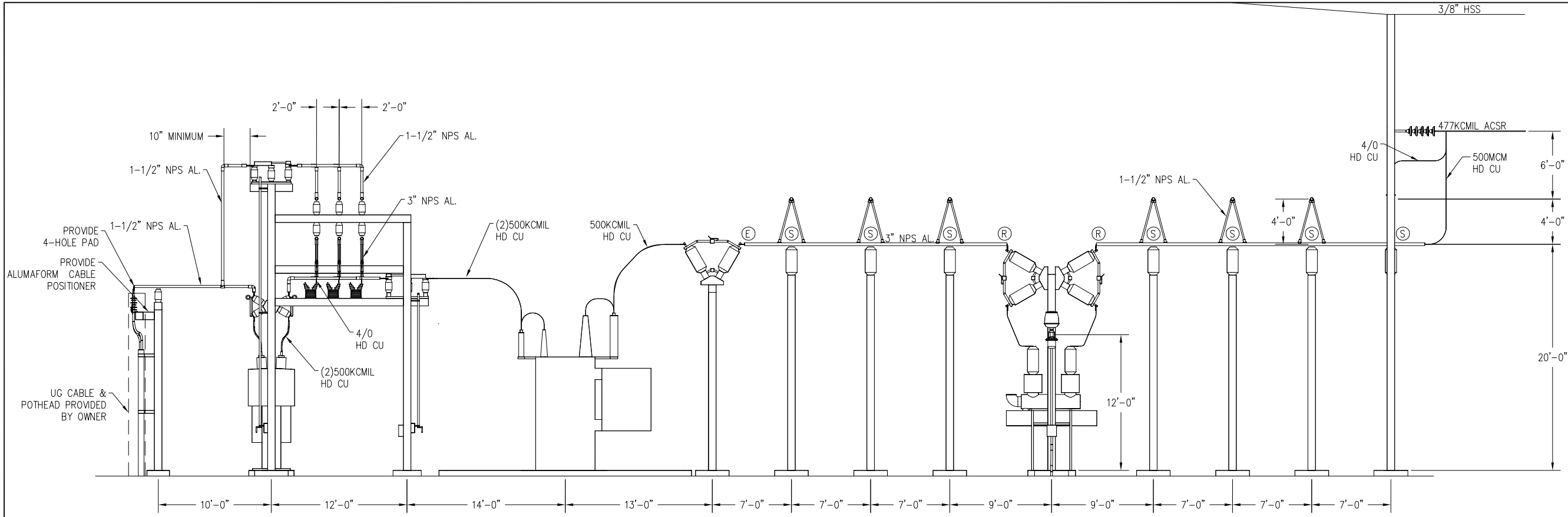
FRANKFORT PLANT BOARD
 FRANKFORT, KY
 CAPITAL PLAZA SUBSTATION

ELECTRICAL EQUIPMENT PLAN



DRAW:	AWS
CHK'D:	KRA
APP'D:	DKD
SCALE:	1"=20' (11X17")
DATE:	03.03.21
DRAWING NUMBER:	1125-03-300

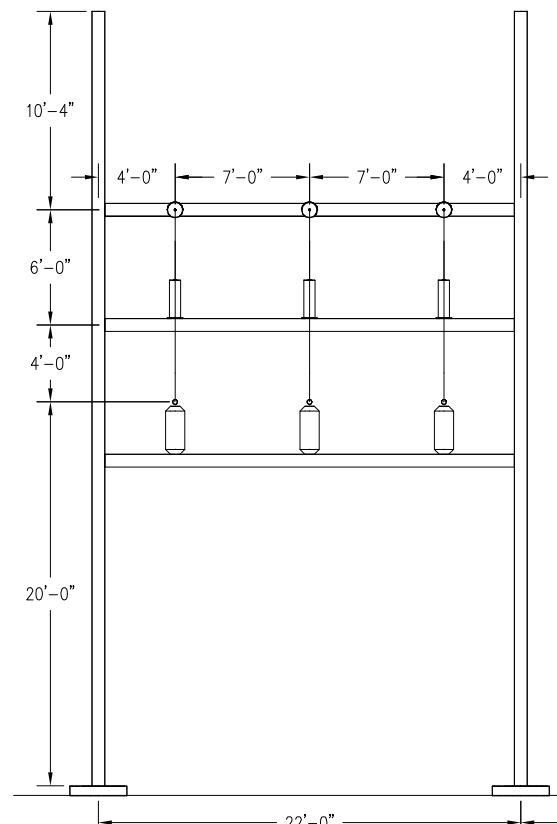
ADAMSTEVENSON - 9/1/2021 - 06:58 - P:\FRANKFORT KY\1125\1125-03 CAPITAL PLAZA SUBSTATION\WORK PRODUCTS\CAD\1125-03-301.DWG : LAYOUT



- LEGEND:
- Ⓢ SLIP BUS FITTING
 - Ⓡ RIGID BUS FITTING
 - ⓔ EXPANSION BUS FITTING

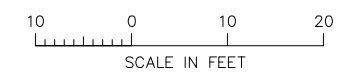
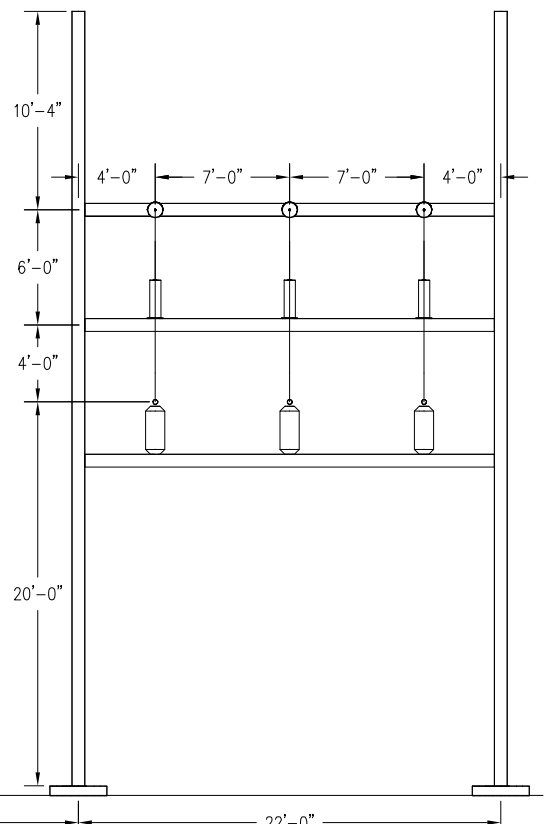
SECTION

A
300



SECTION

B
300



ISSUED FOR BIDDING ONLY
NOT FOR CONSTRUCTION

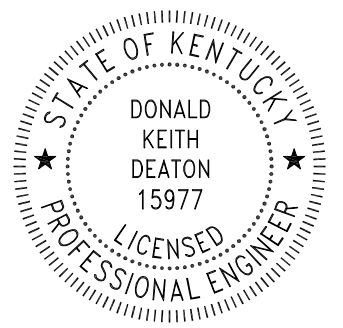


REV	DATE	CHK'D	APP'D	REVISION DESCRIPTION
0	01.04.22	KRA	DKD	ISSUED FOR BIDS

FRANKFORT PLANT BOARD
FRANKFORT, KY
CAPITAL PLAZA SUBSTATION

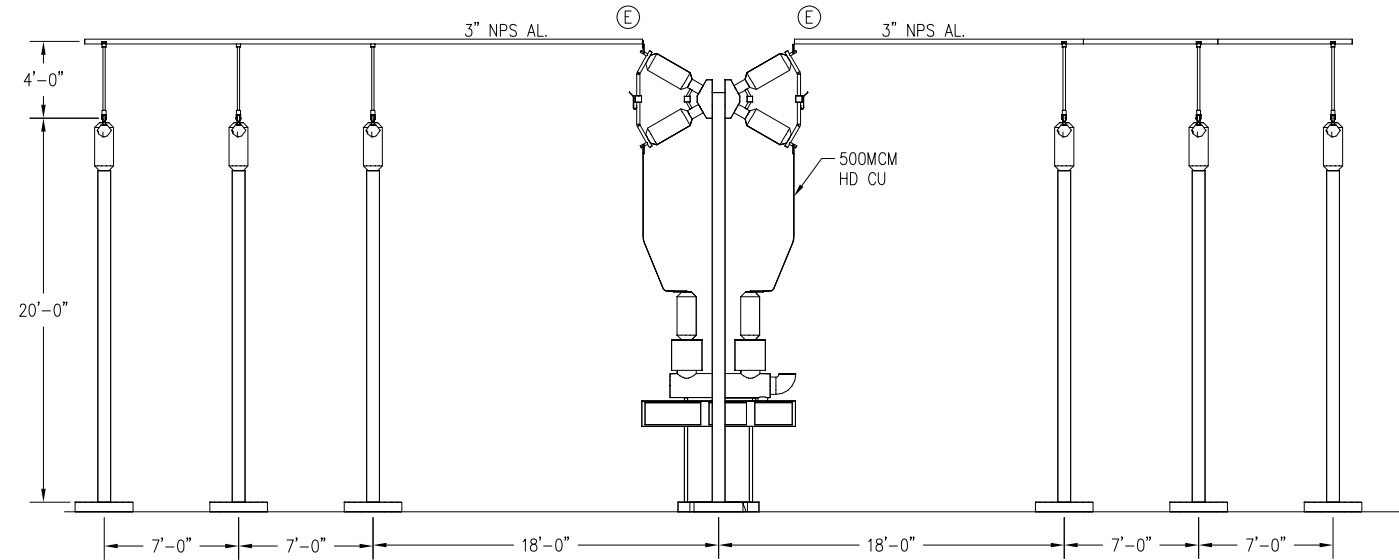
ELECTRICAL EQUIPMENT
SECTIONS A & B

DRAW:	AWS
CHK'D:	KRA
APP'D:	DKD
SCALE:	1"=20' (11X17")
DATE:	03.03.21
DRAWING NUMBER:	1125-03-301

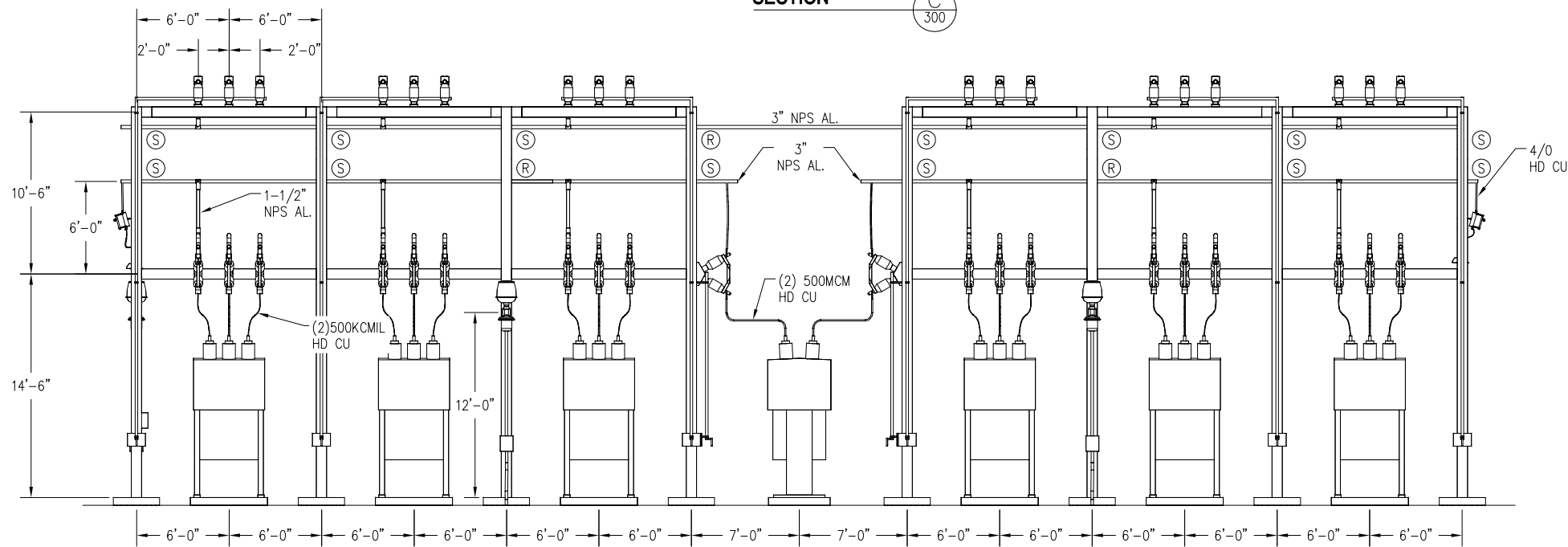


ADAMSTEVENSON - 1/5/2022 - 08:14 - P:\FRANKFORT KY\1125\1125-03 CAPITAL PLAZA SUBSTATION\WORK PRODUCTS\CAD\1125-03-302.DWG : LAYOUT1

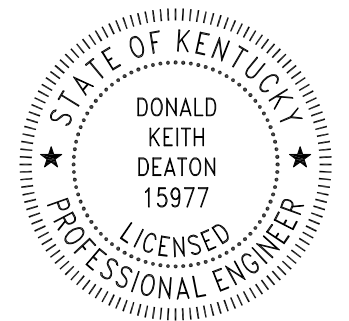
- LEGEND:
- Ⓢ SLIP BUS FITTING
 - Ⓡ RIGID BUS FITTING
 - ⓔ EXPANSION BUS FITTING



SECTION C
300



SECTION D
300



**ISSUED FOR
BIDDING ONLY
NOT FOR
CONSTRUCTION**



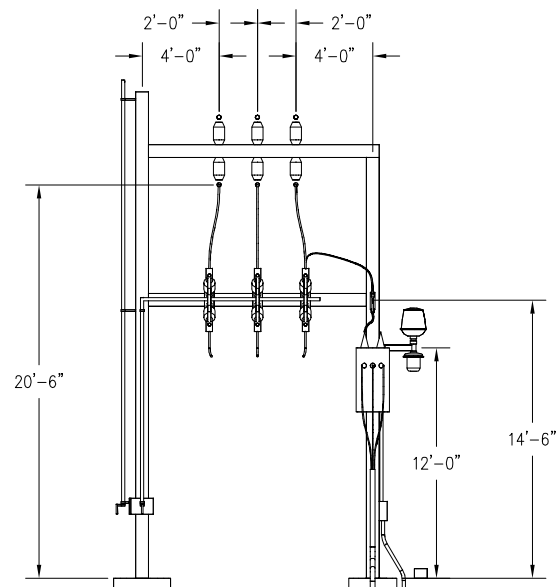
REV	DATE	CHK'D	APP'D	REVISION DESCRIPTION
0	01.04.22	KRA	DKD	ISSUED FOR BIDS

FRANKFORT PLANT BOARD
FRANKFORT, KY
CAPITAL PLAZA SUBSTATION

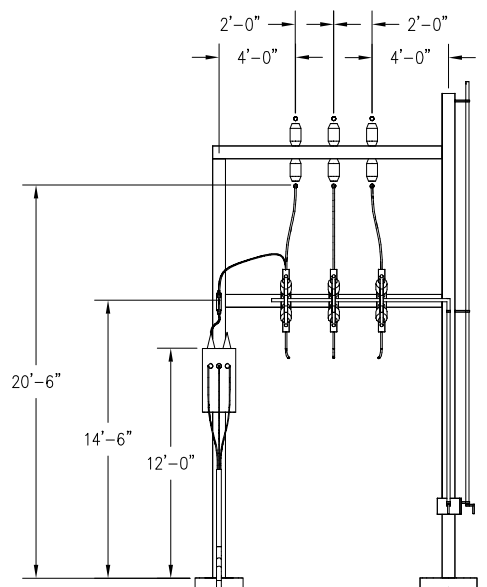
ELECTRICAL EQUIPMENT
SECTIONS C & D

DRAW:	AWS
CHK'D:	KRA
APP'D:	DKD
SCALE:	1"=20' (11X17")
DATE:	03.03.21
DRAWING NUMBER:	1125-03-302

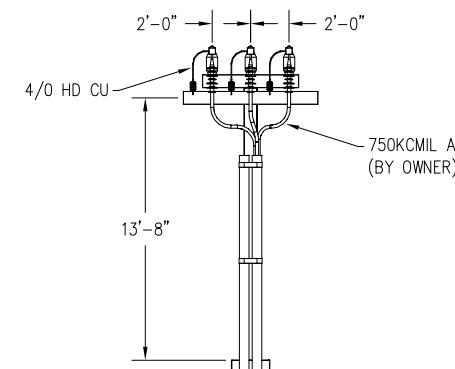
ADAMSTEVENSON - 1/5/2022 - 08:15 - P:\FRANKFORT KY\1125\1125-03 CAPITAL PLAZA SUBSTATION\WORK PRODUCTS\CAD\1125-03-303.DWG : LAYOUT



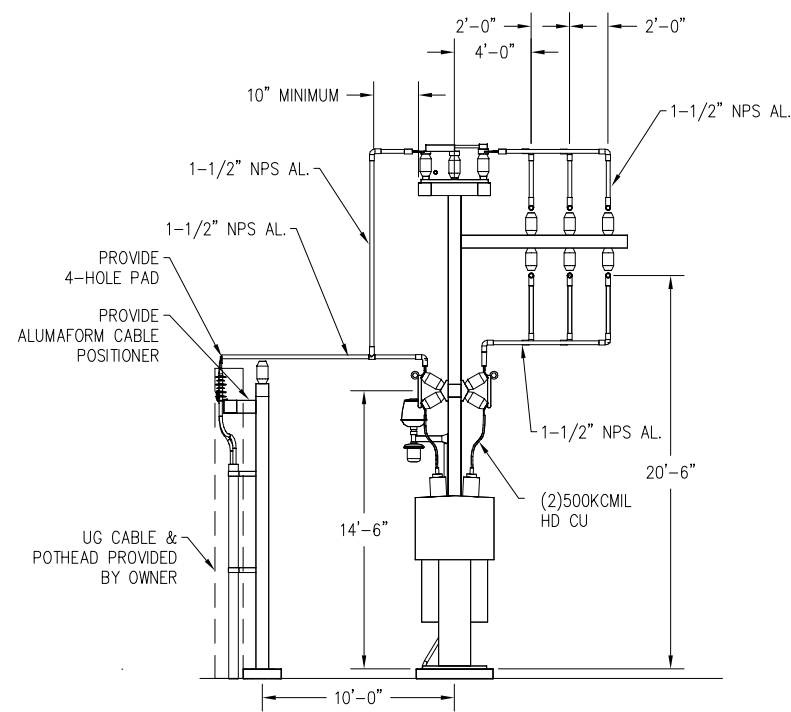
SECTION E
300



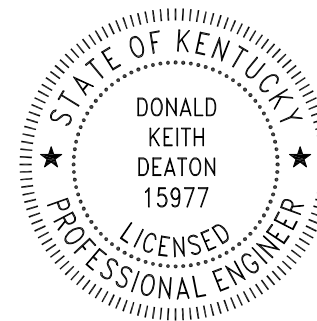
SECTION F
300



SECTION G
300



SECTION H
300



**ISSUED FOR
BIDDING ONLY
NOT FOR
CONSTRUCTION**



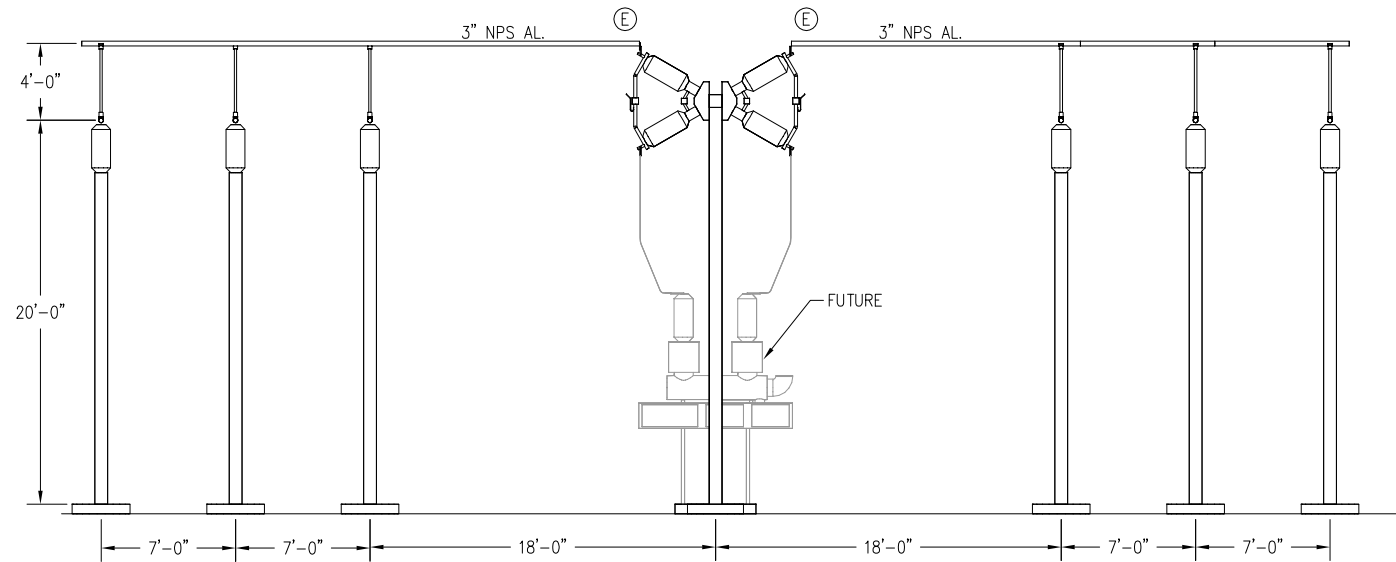
REV	DATE	CHK'D	APP'D	REVISION DESCRIPTION
0	01.04.22	KRA	DKD	ISSUED FOR BIDS

FRANKFORT PLANT BOARD
FRANKFORT, KY
CAPITAL PLAZA SUBSTATION

ELECTRICAL EQUIPMENT
SECTIONS E, F, G, & H

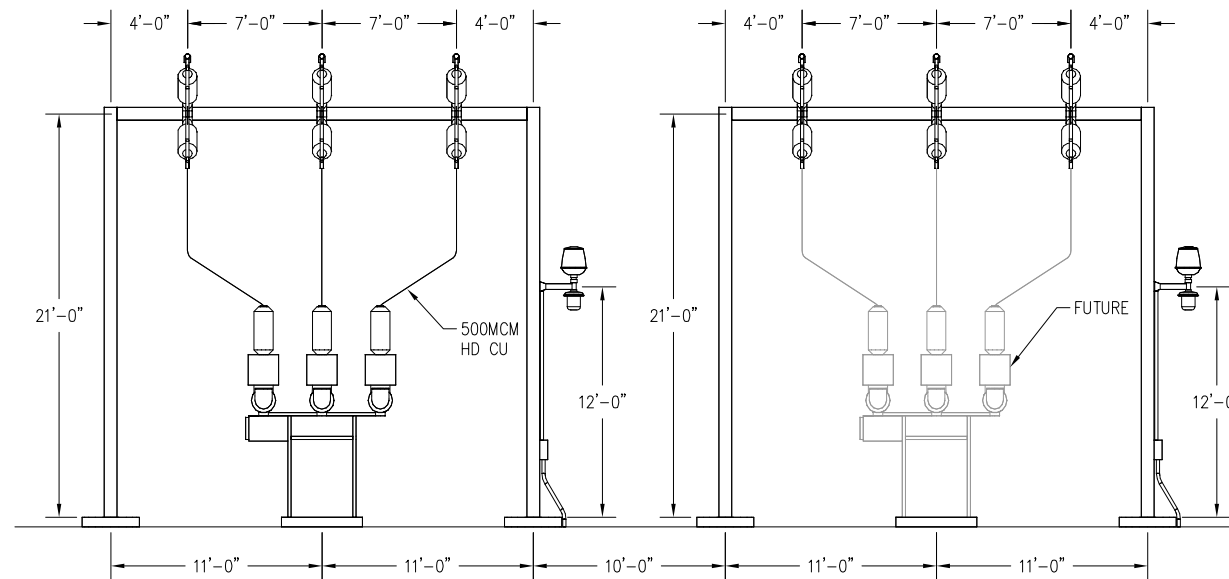
DRAW:	AWS
CHK'D:	KRA
APP'D:	DKD
SCALE:	1"=20' (11X17")
DATE:	03.03.21
DRAWING NUMBER:	1125-03-303

ADAMSTEVENSON - 1/5/2022 - 08:16 - P:\FRANKFORT KY\1125\1125-03 CAPITAL PLAZA SUBSTATION\WORK PRODUCTS\CAD\1125-03-304.DWG : LAYOUT1



SECTION

J
300



SECTION

K
300

LEGEND:

- Ⓢ SLIP BUS FITTING
- Ⓡ RIGID BUS FITTING
- ⓔ EXPANSION BUS FITTING



**ISSUED FOR
BIDDING ONLY
NOT FOR
CONSTRUCTION**

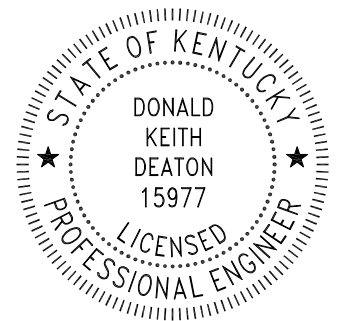


REV	DATE	CHK'D	APP'D	REVISION DESCRIPTION
0	01.04.22	KRA	DKD	ISSUED FOR BIDS

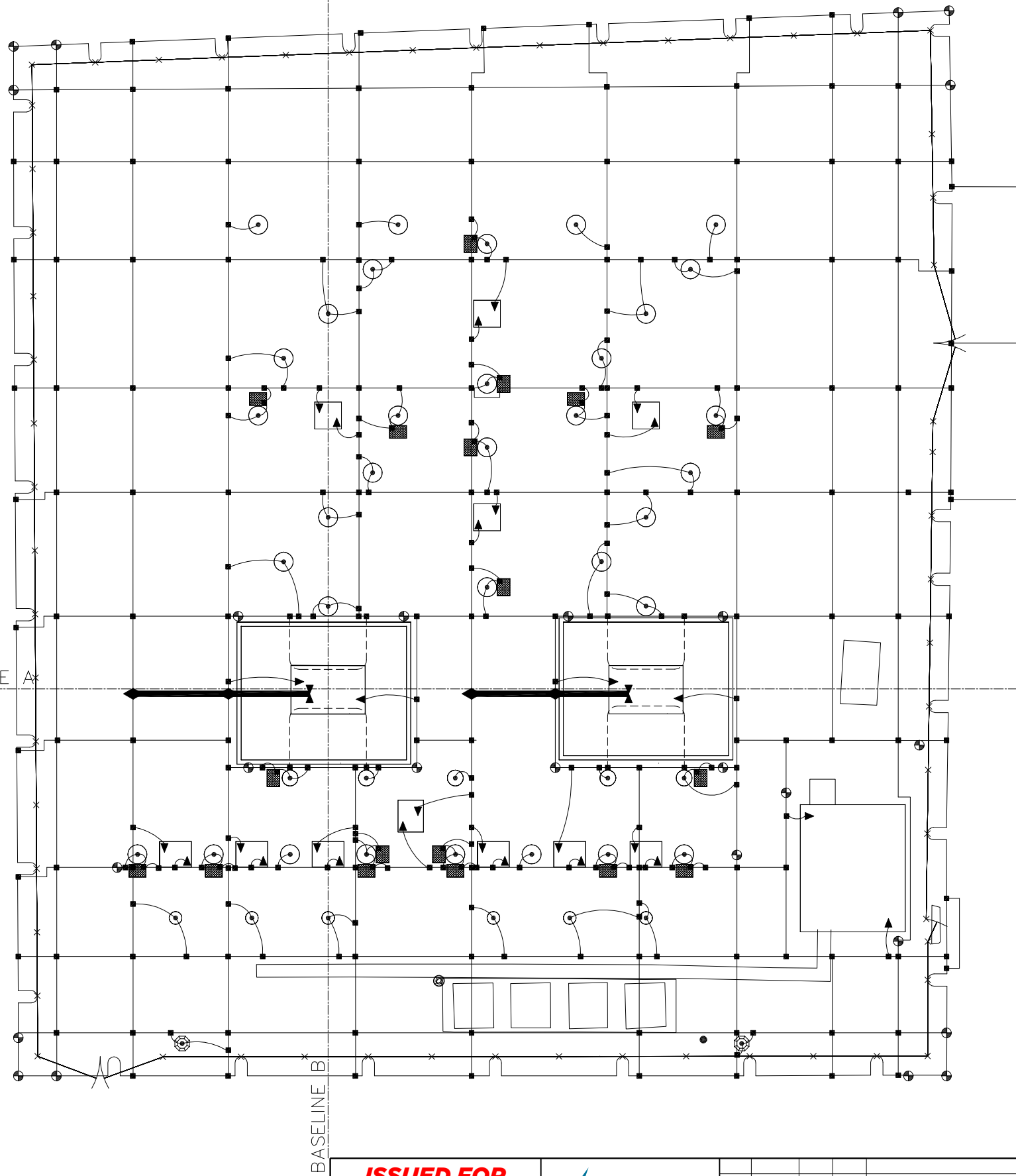
FRANKFORT PLANT BOARD
FRANKFORT, KY
CAPITAL PLAZA SUBSTATION

ELECTRICAL EQUIPMENT
SECTIONS J & K

DRAW:	AWS
CHK'D:	KRA
APP'D:	DKD
SCALE:	1"=20' (11X17")
DATE:	03.03.21
DRAWING NUMBER:	1125-03-304



ADAMSTEVENSON - 7/20/2021 - 09:39 - P:\FRANKFORT KY 1125\1125-03 CAPITAL PLAZA SUBSTATION\WORK PRODUCTS\CAD\1125-03-500.DWG : LAYOUT1



LEGEND

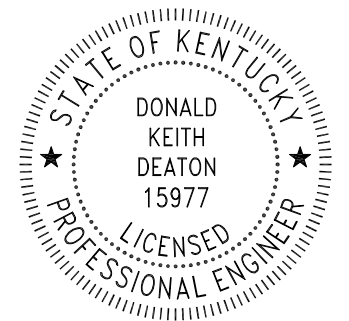
- 4/0 SOFT DRAWN STRANDED CU
18" MIN BURIAL DEPTH BELOW SUBGRADE
- 500 MCM SOFT DRAWN STRANDED CU.
18" MIN. BURIED DEPTH BELOW SUBGRADE. 24" MIN. BURIAL DEPTH BELOW FINAL GRADE.
- LOOP 4/0 STR CU UP AND ACROSS STRUCTURES OR TRANSFORMERS WHERE NOTED FOR GROUNDING OF INSTRUMENT TRANSFORMERS OR LIGHTNING ARRESTERS.
- ◆ GROUND CONNECTION EXOTHERMIC 500 MCM TO 4/0 STR CU
- GROUND CONNECTION EXOTHERMIC 4/0 STR CU TO 4/0 STR CU
- GROUND CONNECTION 4/0 STR CU TO FLAT.
- ▲ GROUND CONNECTION 4/0 STR CU TO 2 HOLE PAD.
- ⊕ GROUND ROD 10'-0" x 3/4" DIA. CONNECTION TO 4/0 STR CU.
- ▼ GROUND CONNECTION 500 MCM CU TO 4 HOLE PAD.
- ⌋ 4/0 STR CU TO GATE, CORNER AND ALTERNATE LINE POSTS.
- SWITCH OPERATING PLATFORM

NOTES:

1. SEE DRAWING 1125-03-503 FOR GROUNDING DETAILS.

BASELINE A

BASELINE B



**ISSUED FOR BIDDING ONLY
NOT FOR CONSTRUCTION**



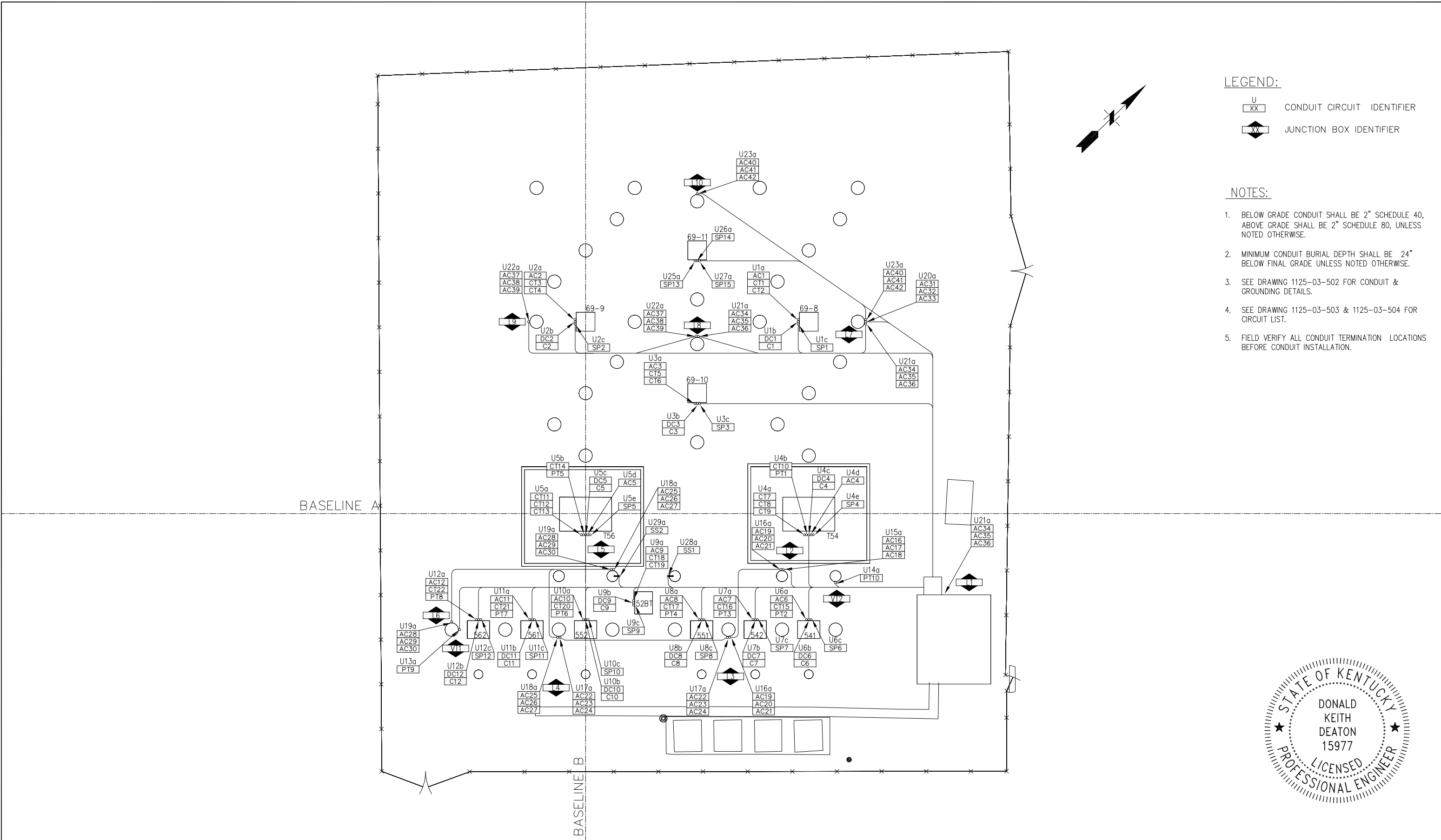
REV	DATE	CHK'D	APP'D	REVISION DESCRIPTION
0	01.04.22	KRA	DKD	ISSUED FOR BIDS

FRANKFORT PLANT BOARD
FRANKFORT, KY
CAPITAL PLAZA SUBSTATION

GROUNDING PLAN

DRAW:	AWS
CHK'D:	KRA
APP'D:	DKD
SCALE:	1"=20' (11X17")
DATE:	03.29.21
DRAWING NUMBER:	1125-03-500

ADAMSTEVENSON - 7/20/2021 - 09:30 - P:\FRANKFORT KY 1125\1125-03 CAPITAL PLAZA SUBSTATION\WORK PRODUCTS\CAD\1125-03-501.DWG : LAYOUT1



LEGEND:

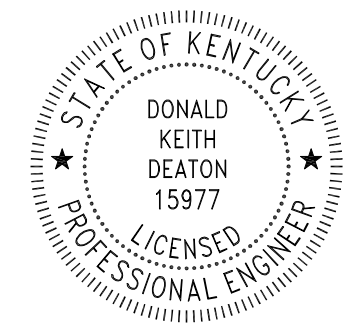
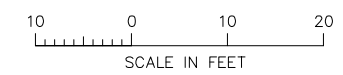
- U
xx CONDUIT CIRCUIT IDENTIFIER
- J
xx JUNCTION BOX IDENTIFIER

NOTES:

1. BELOW GRADE CONDUIT SHALL BE 2" SCHEDULE 40, ABOVE GRADE SHALL BE 2" SCHEDULE 80, UNLESS NOTED OTHERWISE.
2. MINIMUM CONDUIT BURIAL DEPTH SHALL BE 24" BELOW FINAL GRADE UNLESS NOTED OTHERWISE.
3. SEE DRAWING 1125-03-502 FOR CONDUIT & GROUNDING DETAILS.
4. SEE DRAWING 1125-03-503 & 1125-03-504 FOR CIRCUIT LIST.
5. FIELD VERIFY ALL CONDUIT TERMINATION LOCATIONS BEFORE CONDUIT INSTALLATION.

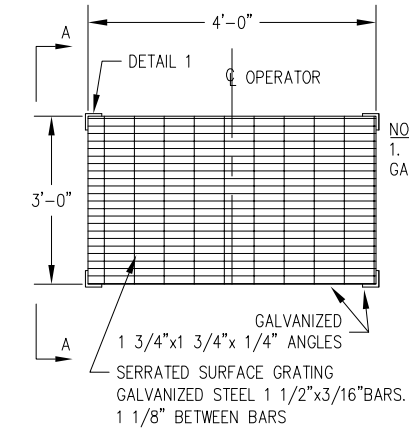
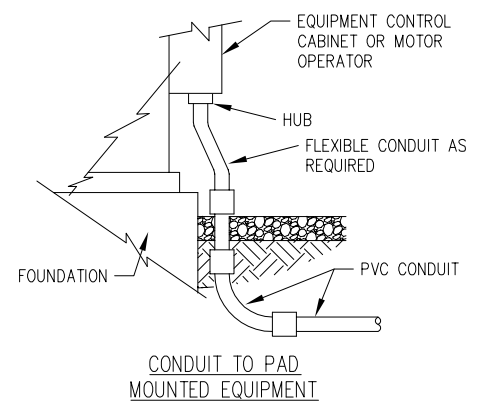
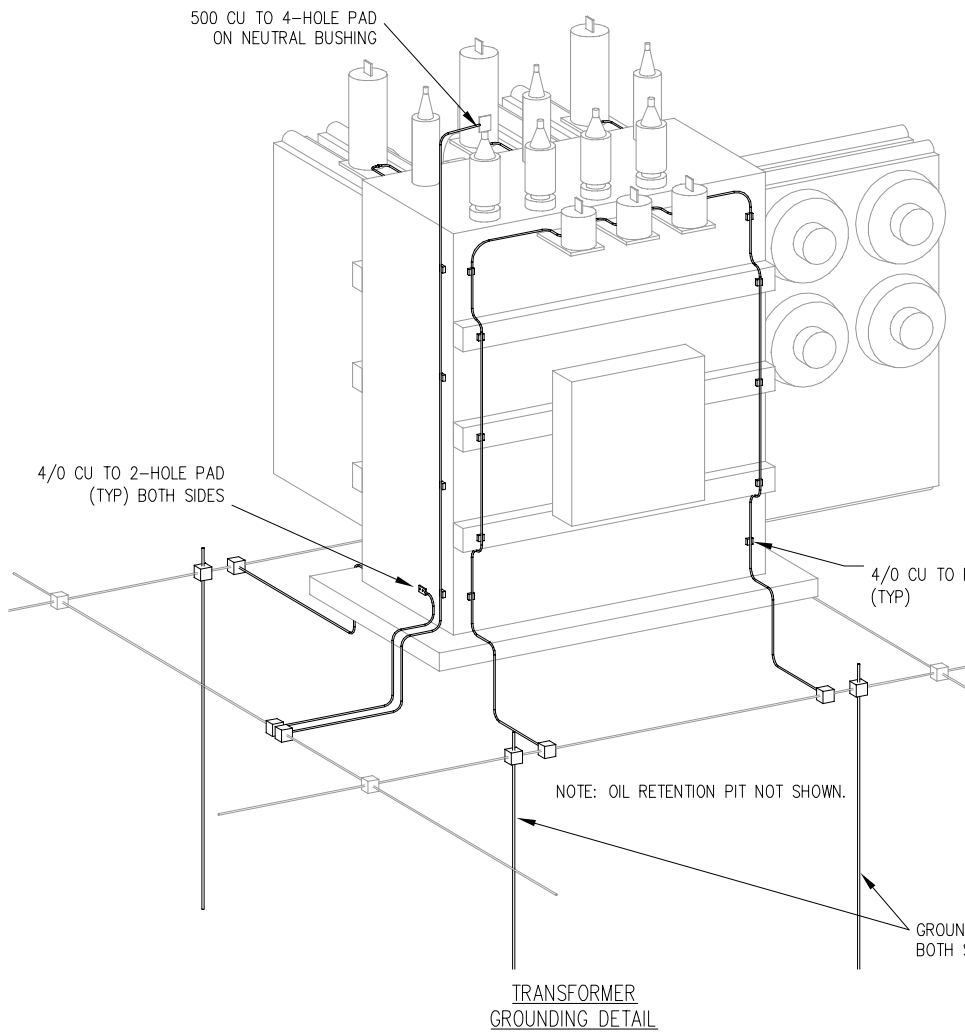
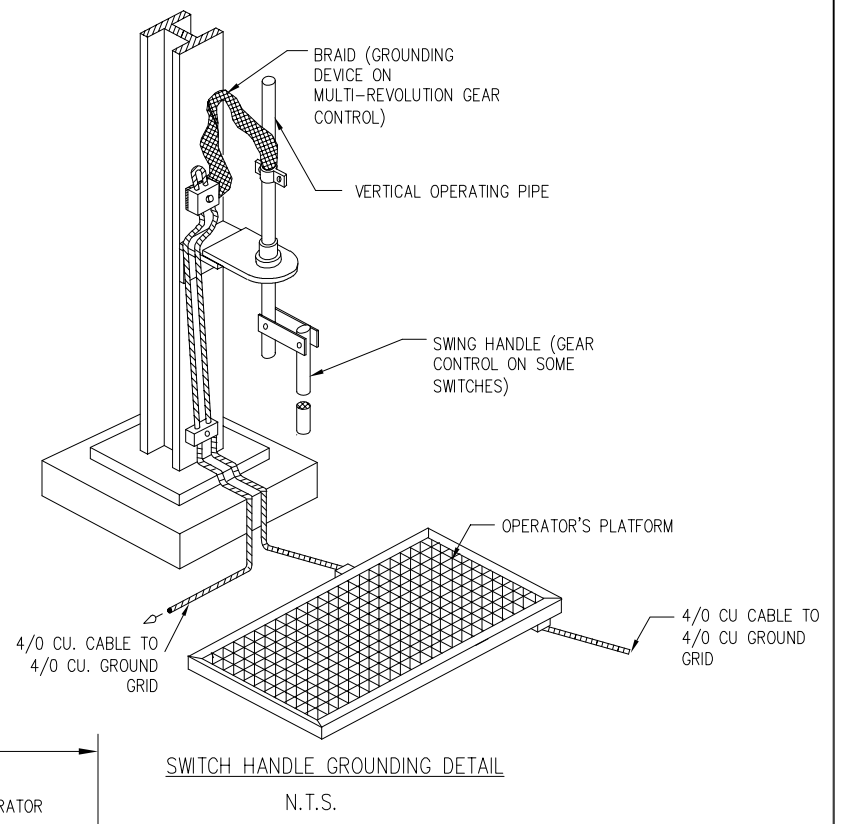
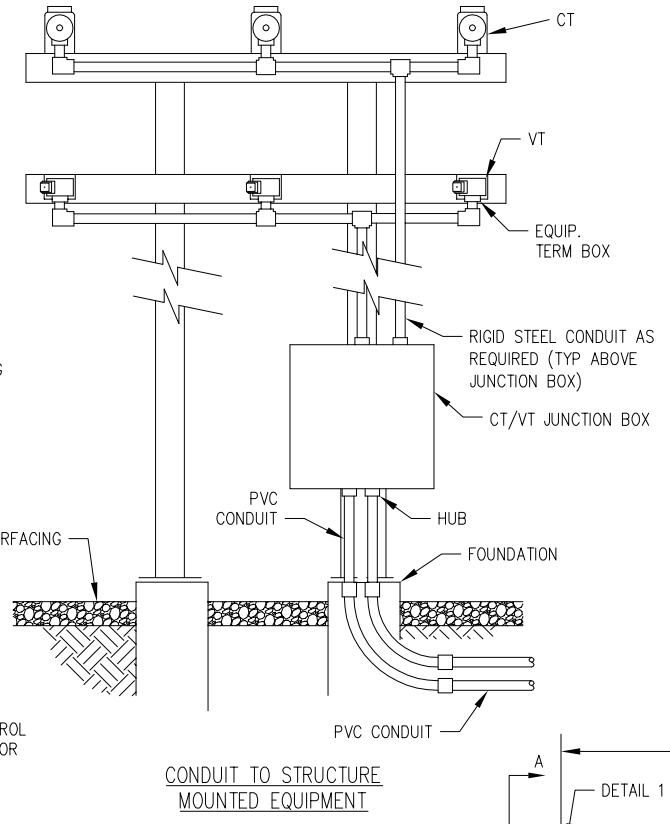
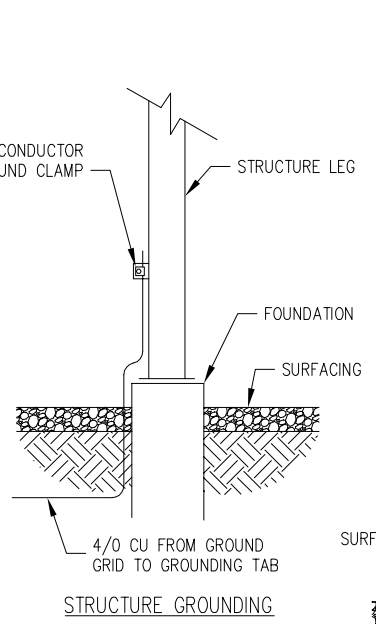
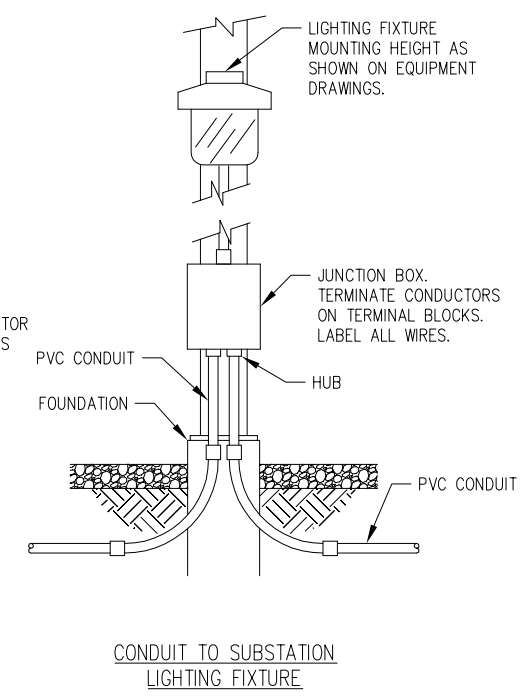
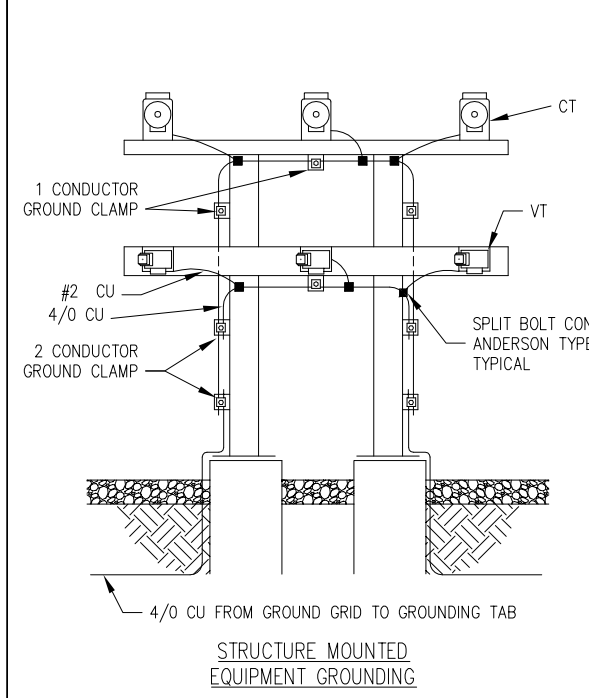
BASELINE A

BASELINE B

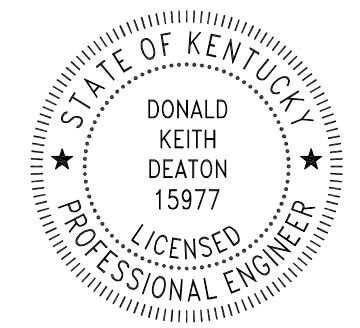
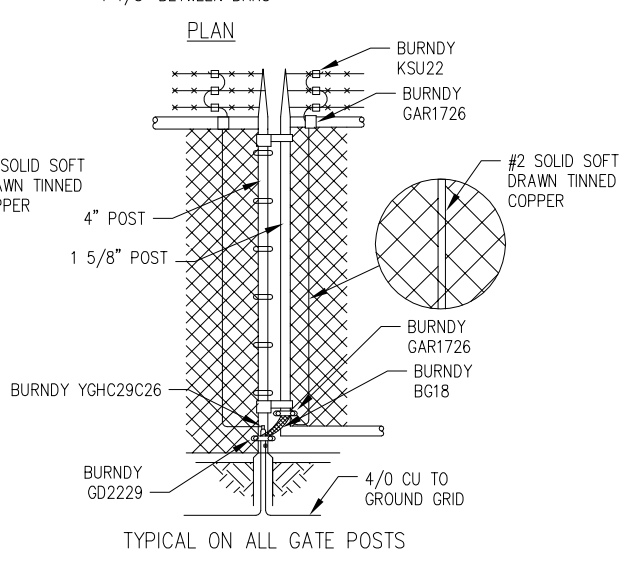
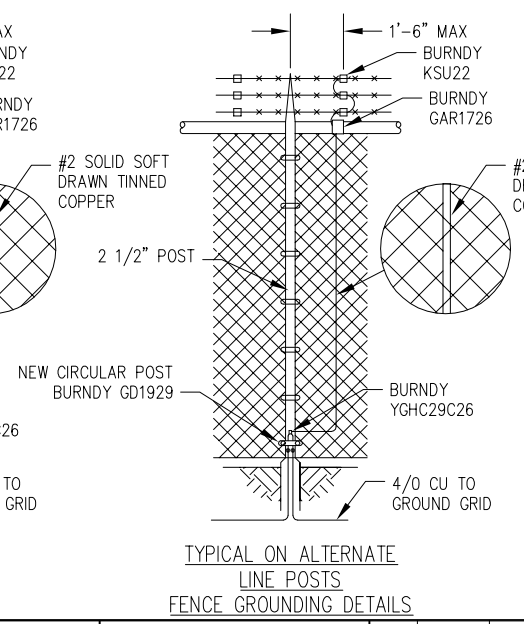
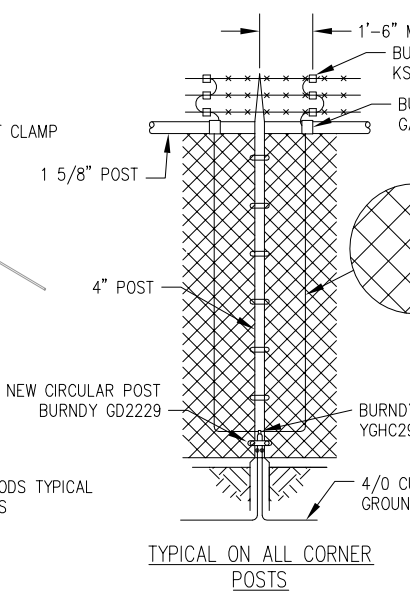
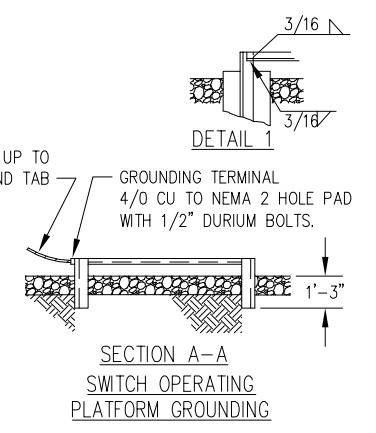


<p>ISSUED FOR BIDDING ONLY NOT FOR CONSTRUCTION</p>		FRANKFORT PLANT BOARD FRANKFORT, KY CAPITAL PLAZA SUBSTATION			DRAW: AWS
		CONDUIT PLAN			CHK'D: KRA
REV	DATE	CHK'D	APP'D	REVISION DESCRIPTION	SCALE: 1"=20' (11X17")
0	01.04.22	KRA	DKD	ISSUED FOR BIDS	DATE: 04.01.21
					DRAWING NUMBER: 1125-03-501

ADAMSTEVENSON - 7/14/2021 - 08:30 - P:\FRANKFORT KY 1125\1125-03 CAPITAL PLAZA SUBSTATION\WORK PRODUCTS\CAD\1125-03-502.DWG : LAYOUT



NOTES:
1. ALL STEEL TO BE HOT DIP GALVANIZED AFTER FABRICATION.



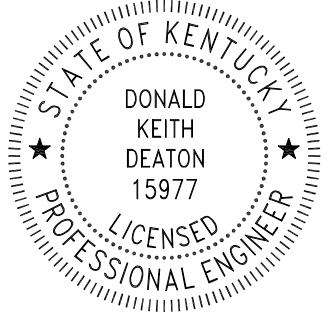
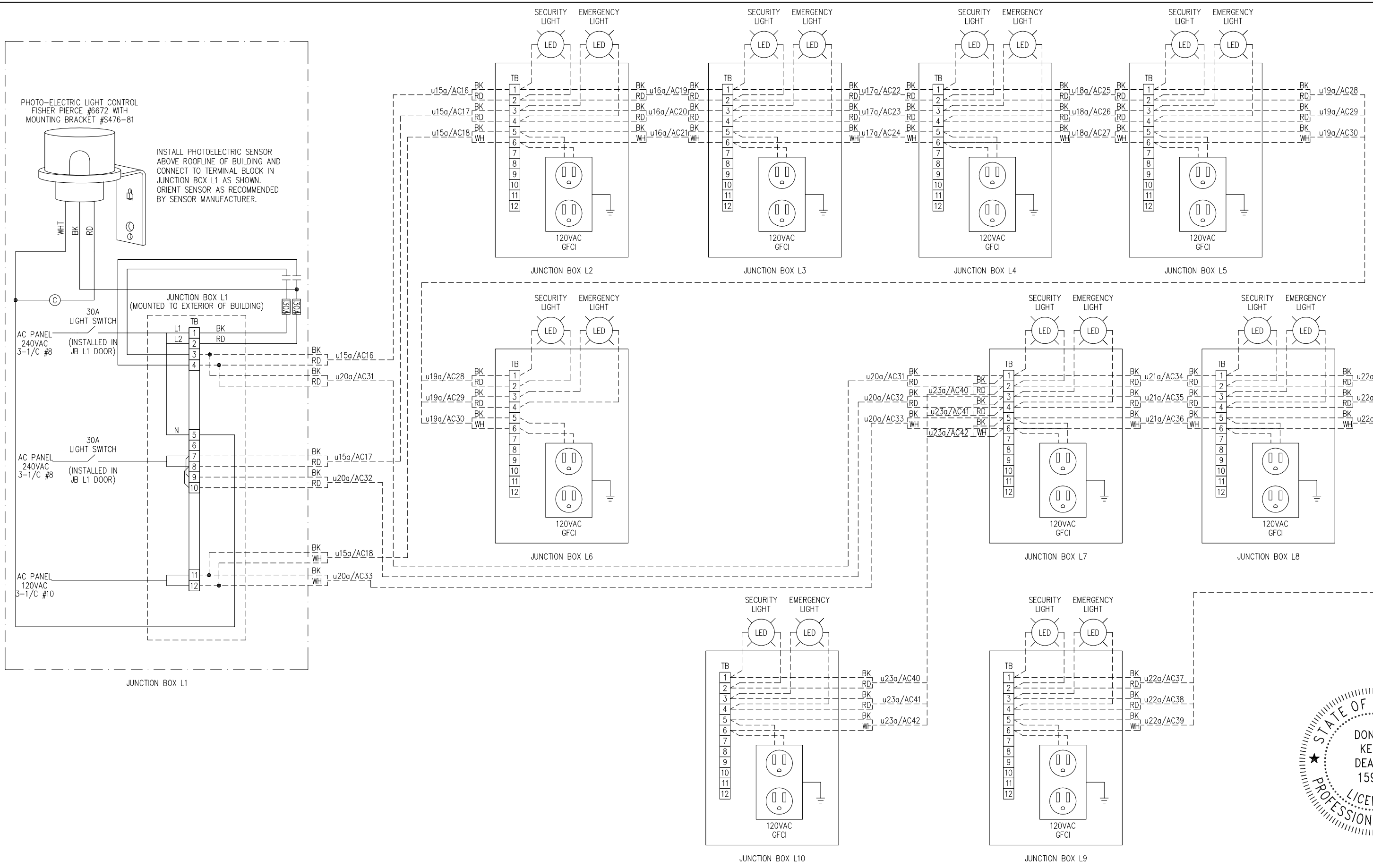
ISSUED FOR BIDDING ONLY NOT FOR CONSTRUCTION



REV	DATE	CHK'D	APP'D	REVISION DESCRIPTION
0	01.04.22	KRA	DKD	ISSUED FOR BIDS

FRANKFORT PLANT BOARD FRANKFORT, KY CAPITAL PLAZA SUBSTATION	DRAW: AWS CHK'D: KRA APP'D: DKD SCALE: 1"=20' (11X17") DATE: 04.01.21 DRAWING NUMBER: 1125-03-502
CONDUIT & GROUNDING DETAILS	

ADAMSTEVENSON - 7/14/2021 - 08:35 - P:\FRANKFORT KY 1125\1125-03 CAPITAL PLAZA SUBSTATION\WORK PRODUCTS\CAD\1125-03-705.DWG : LAYOUT1



**ISSUED FOR
BIDDING ONLY
NOT FOR
CONSTRUCTION**



REV	DATE	CHK'D	APP'D	REVISION DESCRIPTION
0	01.04.22	KRA	DKD	ISSUED FOR BIDS

FRANKFORT PLANT BOARD
FRANKFORT, KY
CAPITAL PLAZA SUBSTATION

YARD LIGHTING & AC POWER
WIRING DIAGRAM

DRAW:	AWS
CHK'D:	KRA
APP'D:	DKD
SCALE:	N/A
DATE:	04.09.2021
DRAWING NUMBER:	1125-03-705